



STAINLESS STEEL PULL CORD UNIT

3000mm cord

2 pull handles for high-level and low-level activation

Reassurance LED - indicates alarm status

Can be daisy chained for multiple alarm activation points

Tough, stainless steel, construction

Anti-tamper fixings available

Flush mount - fits standard UK, 35mm single gang back box

Ideal for public places, hospitals, hotels, etc.

NURSE CALL SYSTEMS

Nurse call systems enable residents, visitors and staff to call for assistance in the event of emergency or other contingency.

FOLKNOLL WILL DESIGN AND SUPPLY FULLY TESTED SYSTEMS OR INDIVIDUAL COMPONENTS. PLEASE CONTACT OUR TEAM OF ENGINEERS TO DISCUSS YOUR REQUIREMENTS.

PULL CORD UNITS

Pull cords, alarm strips and call points are used to call for assistance in emergency. The units are mounted in strategic locations in accordance with current standards, enabling distressed persons to activate alarms. Depending on the system configuration, beacons, sounders and remote monitoring units will be used to alert staff and others to respond to incidents.

NC7520.01: PULL CORD STAINLESS

Our NC7520.01 Pull Cord Stainless is a tough stainless steel, alarm pull cord unit with a built-in reassurance LED.

PULL CORD HANDLES

The unit is usually supplied with 3000mm cord and two pull handles offering high-level and low-level activation points. The handles can be located anywhere along the cord to comply with local regulations, specifications and requirements. Alternative cord lengths and additional pull handles are available on request.

REASSURANCE LED

The reassurance LED indicates the state of the local emergency alarm. The exact behaviour of this LED depends on the type of alarm control system used. Typically, the LED flashes in the alarm activated state and is illuminated continuously in the alarm acknowledged state.

FACEPLATE / ENCLOSURE

The standard faceplate is made from brushed finish stainless steel. Alternative finishes are available on request.

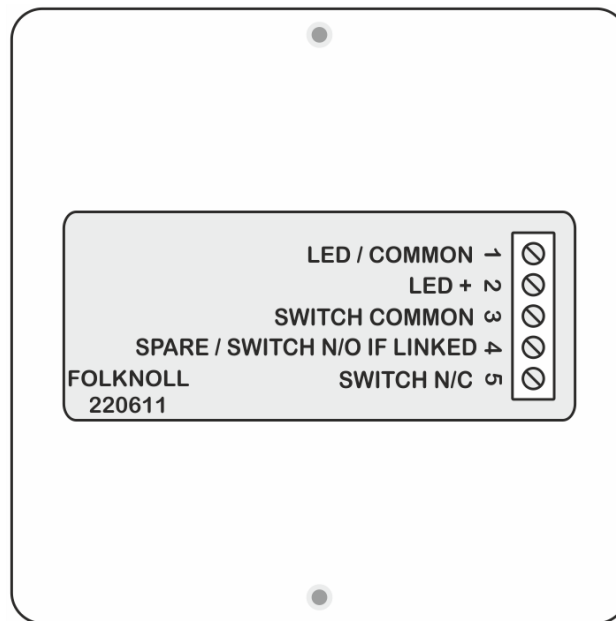
MOUNTING

The unit is designed for mounting in a standard UK, 35mm, single gang back box (not supplied).

SPECIFICATIONS

- Pull cord: 3000mm cord with 2 pull handles for high-level and low-level activation
- Indicator: Red reassurance LED, illuminates on activation
- Faceplate: Stainless steel, brushed finish
- Mounting: Standard UK 35mm single gang back box (not supplied)
- Dimensions: Width: 86mm, height: 86mm, depth: < 35mm (approx.)
- Power: 12Vdc / 24Vdc, usually supplied from battery backed system PSU

CONNECTIONS



ABOUT FOLKNOLL

We are a UK based systems design, manufacturing and installation company. Since 1975 we have been supplying tough, reliable, practical, alarm and control systems for the private and public sectors. All of our products and systems have been designed for easy installation and low maintenance by experienced engineers. As original manufacturers, all of our products and systems can be customised to suit your requirements. We also offer individual annotation, custom engraving and special finishes for all of our equipment.

GET IN TOUCH

Please contact us for further information about our wide range of products and services and find out how we can provide a solution for you.



Folknoll Group Ltd

Old North Rd, Royston, HERTS, SG8 5DT, UK

www.folknoll.co.uk

+44 (0) 1763 234567

enquiries@folknoll.co.uk