



- BATTERY BACKED LOCAL SYSTEM PSU WITH NIOS I/F**
- Surface mount, steel enclosure with screw fixing
- Suitable for use with a wide range of mains supplies
- Internal batteries for 24 hours quiescent + 30 mins alarm operation
- Local operation if network fails
- Document M compatible operation
- Multiple pull cords, call points, beacon sounders, resets
- NIOS interface for Folknoll network alarm systems**
- Battery and mains fault indication
- Voltage fluctuation tolerant - ideal for remote locations

### EMERGENCY ASSISTANCE ALARMS

Folknoll emergency assistance alarm systems offer cost-effective, vandal resistant, **BS 8300** and **DOCUMENT M** compliant solutions built from standard and bespoke units. Our alarms can be combined with disabled refuge EVC, fire telephone and other systems. Ideal for **SHOPS, OFFICES, HOTELS AND OTHER PUBLIC SPACES**.

### PSU-NIOS-SVR: LOCAL ALARM SYSTEM PSU WITH NIOS NETWORK I/F

Our PSU-NIOS-SVR: Local Alarm System PSU with NIOS Network I/F offers a battery backed power supply for a local alarm system with a NIOS system interface for remote monitoring.

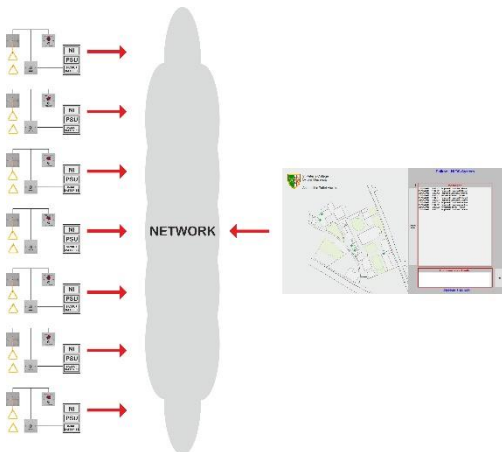
**MAKING SYSTEM DESIGN, INSTALLATION AND MAINTENANCE EASIER AND CHEAPER**

### BATTERY BACKED PSU

The unit is supplied with the sufficient battery storage to operate the local system for 24 hours with 30 mins of alarm activity. The PSU will operate form a wide range of mains voltages (90-264Vac) making the system tolerant of voltage fluctuations and suitable for use in remote locations with unreliable supplies.

### NIOS NETWORK INTERFACE

This unit has a built-in NIOS interface allowing monitoring by NIOS PC workstations. Options for fault/mains/battery and external alarms are available. Folknoll NIOS systems offer document M compatible remote alarm monitoring on plan-based GUI workstations.

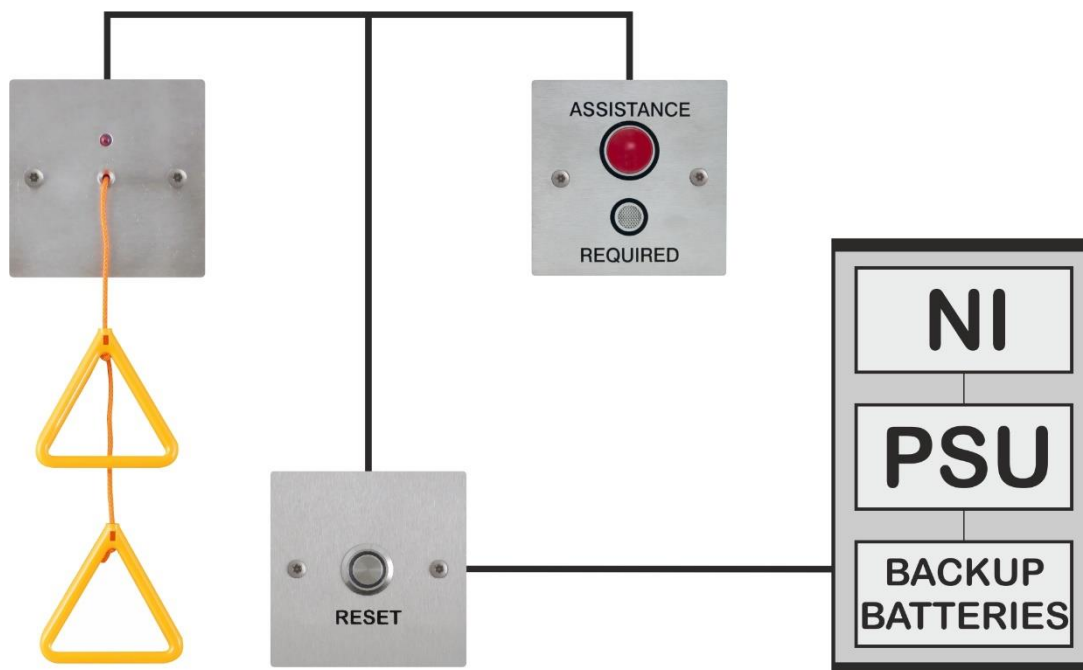


### TYPICAL APPLICATION

A networked toilet alarm system with a monitored by a remote GUI PC.

**STAND-ALONE OPERATION IN THE EVENT OF A MAINS SUPPLY FAILURE**

## TYPICAL MONITORING LOCATION



## SPECIFICATIONS

Enclosure:	Mild steel, white painted
Mounting:	Surface mounting
Dimensions:	Width: 235mm, height: 205mm, depth: 90mm (approx.)
Connections:	Mains: terminals Network: RJ45 Local alarm system: screw terminals
Power:	Mains (90-264Vac, at 50-60Hz)
Operating temperature:	-10°C to +40°C at 95% RH
Network interface:	10base-T IEEE 802.3 / 100base-TX IEEE 802.3U overvoltage and power reversal protection

## ABOUT FOLKNOLL

We are a UK based systems design, manufacturing and installation company. Since 1975 we have been supplying tough, reliable, practical, alarm and control systems for the private and public sectors. All of our products and systems have been designed for easy installation and low maintenance by experienced engineers. As original manufacturers, all of our products and systems can be customised to suit your requirements. We also offer individual engraving, special finishes and antimicrobial coatings for all of our equipment.

## GET IN TOUCH

Please contact us for further information about our wide range of products and services and find out how we can provide a solution for you.