



VANDAL RESISTANT RESET BUTTON AND ALARM CONTROLLER

BS 8300-2 and document M compliant

Timed remote accept / acknowledge function

Fault indications

Heartbeat manufacturing option

Illuminated reset button, internal buzzer, large LED beacon

Inputs for pull cords, additional reset buttons, remote and local acknowledge

Outputs for external / over-door beacons and sounders

Vandal resistant, stainless steel, construction, anti-tamper fixings available

Mounts in standard UK 35mm double gang back box

EMERGENCY ASSISTANCE ALARMS

Folknoll emergency assistance alarm systems offer cost-effective, vandal resistant, **BS 8300-2** and **DOCUMENT M** compatible solutions built from standard and bespoke units. Our alarms can be combined with disabled refuge EVCS and other systems. Ideal for **SHOPS, OFFICES, HOTELS** and other **PUBLIC SPACES**.

ENHANCED RESETS

Our enhanced reset units have an integral local system emergency assistance alarm controller. The controller handles assistance requests, acknowledge requests and controls alarm annunciators. The controller may also signal alarm activations and handle acknowledge requests from remote monitoring systems. Enhanced resets have an integral reset button used to reset alarms after incidents have been resolved. Reset units are usually installed inside the alarm zone to ensure alarm responders visit the location in response to an alarm.

DT7540.50B: ALARM RESET DOUBLE GANG

Our DT7540.50B: Alarm Reset Double Gang is made from brushed finish stainless steel and annotated in black with the word **RESET**. Other finishes and alternative annotation are available on request. This unit can be mounted in a standard UK 35mm double gang back box (not supplied).

ILLUMINATED RESET BUTTON

The reset button resets (cancels) the alarm. To reduce the risk of accidental alarm reset the button must be held for a minimum of 0.25 seconds. The button illumination mimics the action of the over-door beacon giving the user a positive visual alarm activation indication within the alarm zone.

INTERNAL BUZZER

The buzzer mimics the action of the over-door sounder giving the user a positive audible alarm activation indication inside the alarm zone.

ACKNOWLEDGE FUNCTION

The accept function allows local or remote devices to acknowledge (accept) and mute alarms, giving reassurance that help is on its way and making verbal communication easier. If the alarm has not been reset within 2 minutes the alarm output is reactivated. Local beacons and sounders are not reactivated to avoid distressing users. Other timeout periods and operating modes are available, please specify when ordering.

ALARM ACTIVATED INDICATIONS

On alarm activation the internal buzzer and the external sounders sound intermittently, the reset button illumination, pull cord LEDs and external beacons flash.

EMERGENCY ASSISTANCE ALARMS

ALARM ACCEPTED INDICATIONS

If an alarm is accepted the internal buzzer and external sounders are muted, the reset button, pull cord LEDs and external beacons are continuously illuminated.

FAULT INDICATIONS

On fault, all buttons, beacons and pull cords LEDs flash rapidly.

OPTIONAL HEARTBEAT REASSURANCE INDICATION

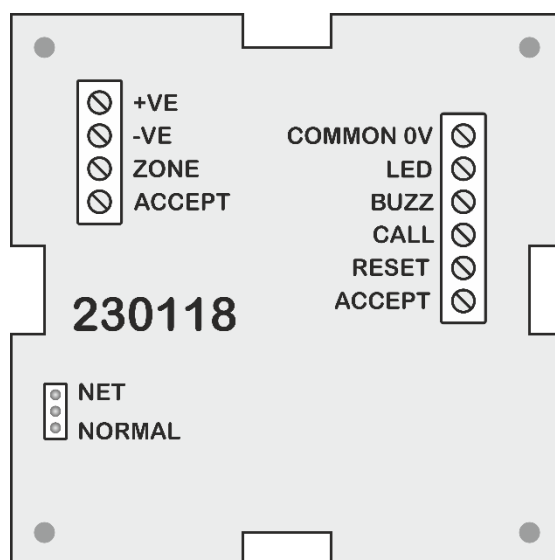
If the heartbeat option is ordered, the reset button and any attached call point buttons, pull cord LEDs or beacons are periodically flashed. Reassuring users and staff that the alarm system is still powered and operating correctly.

This is a manufacturing option, specify DT7540.50BH when ordering.

SPECIFICATIONS

Reset:	Large, vandal resistant, push button with red LED state indicator (other colours by request)
Beacon:	Large, 20mm, red, dome shaped LED (other colours by request)
Faceplate:	Brushed finish, stainless steel with black, silk screened annotation (other options by request)
Mounting:	Standard UK 35mm double gang back box (not supplied)
Dimensions:	Width: 86mm, height: 147mm, depth: < 35 mm (approx.)
Power:	12Vdc / 24Vdc (usually supplied from a battery backed, system, PSU)

CONNECTIONS



ABOUT FOLKNOLL

We are a UK based systems design, manufacturing and installation company. Since 1975 we have been supplying tough, reliable, practical, alarm and control systems for the private and public sectors. All of our products and systems have been designed for easy installation and low maintenance by experienced engineers. As original manufacturers, all of our products and systems can be customised to suit your requirements. We also offer individual annotation, custom engraving and special finishes for all of our equipment.

GET IN TOUCH

Please contact us for further information about our wide range of products and services and find out how we can provide a solution for you.



Folknoll Group Ltd

19 Old North Rd, Royston, HERTS, SG8 5DT, UK

www.folknoll.co.uk

+44 (0) 1763 234567

enquiries@folknoll.co.uk