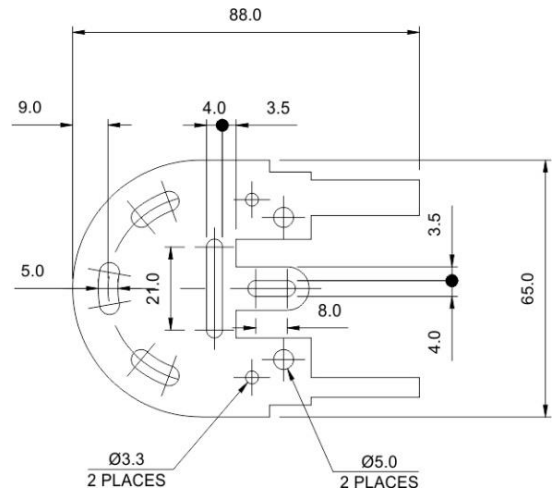


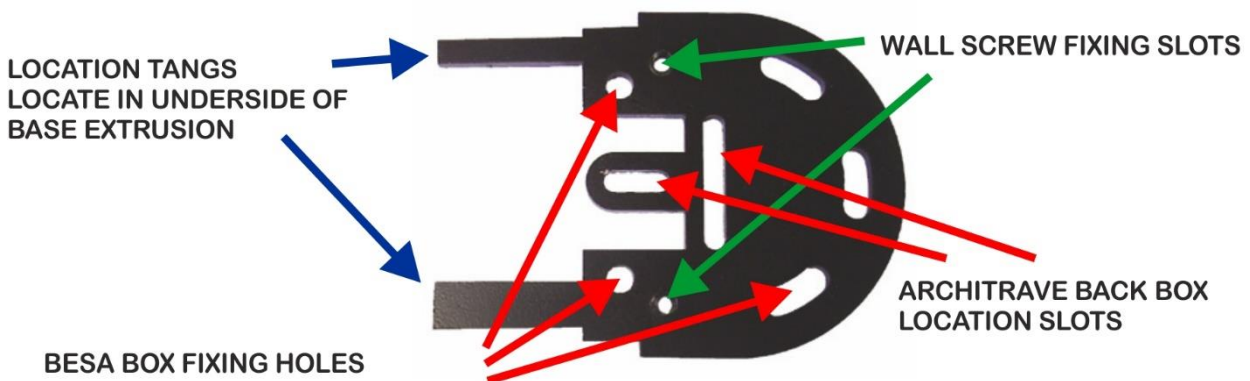
INTRODUCTION

The laser cut stainless steel end cap base plate with a black powder coating finish has addressed many of the issues commonly found on site by engineers when fitting Panic Affray Alarm Strips. The plate has been designed to maximise the distance from the exit hole of cables to the fixing point of the end cap thus giving every opportunity for a secure fixture. Also built into the design is the facility to integrate directly with a pre-fitted flush mount pattress box or galvanised junction/termination box.

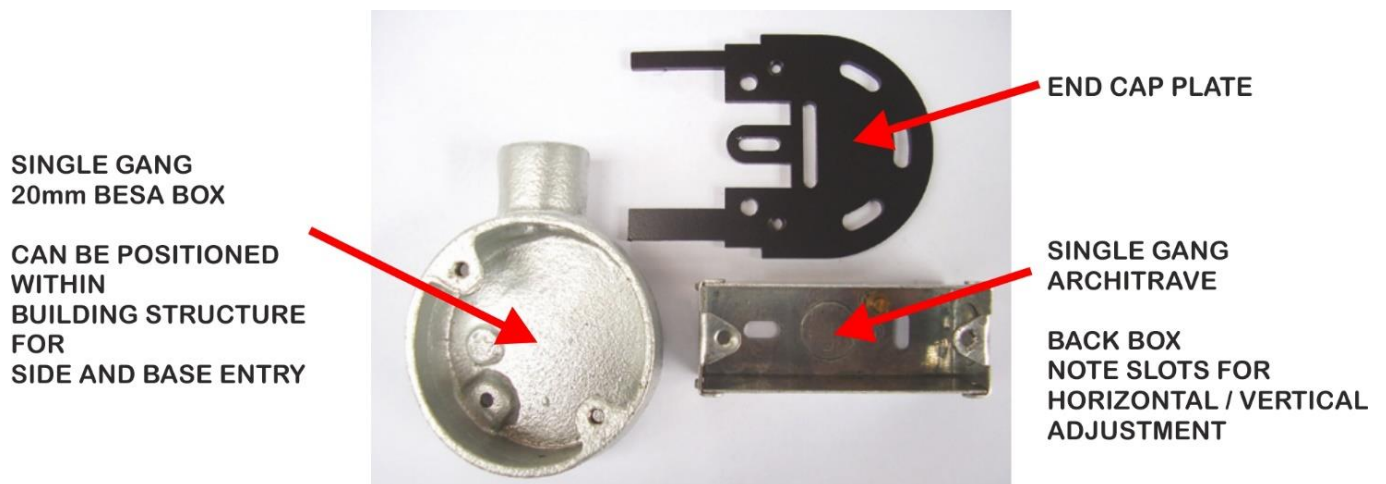


Wall fittings (i.e. screws and plugs) must be chosen to suit the environment and must be of a sound nature

THE END CAP PLATE



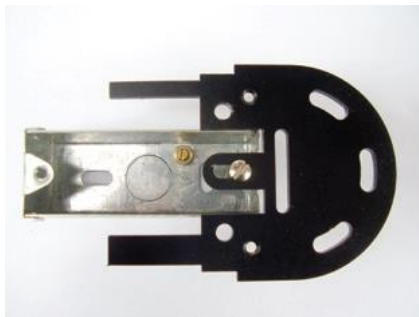
COMPATIBLE BACK BOXES



FIT END CAP BASE PLATE WITHOUT BACK BOX

The Safe-zone aluminium base is first fixed to the wall in the chosen position as per main instruction sheet. Push the 2 locational 'tang's of the end cap plate into the channels on the reverse side of the aluminium base. (Note-the end cap plate can be rotated or flipped to facilitate insertion. Push the plate tight up to the main body. The wall can now be marked for drilling choosing the appropriate slots to make a secure fix. Remove plate to enable drilling and plugging. Replace plate into final chosen position and screw fix firmly. The terminal plug for the alarm strip can now be wired to the alarm and also the LED. (If not done already.) Insert terminal plug within Safe-zone extrusion making sure connections are sound. End cap cover plate can be screwed into position with the 4mm screws provided. Once electrical continuity and full alarm function is confirmed the 2 x end cap plugs can be inserted. Anti-tamper can be improved by using a cyanocrylate type glue on the plugs and replacing the conventional screws with a torx pin security type.

FIT END CAP BASE PLATE ONTO A PRE-FITTED ARCHITRAVE BACK BOX

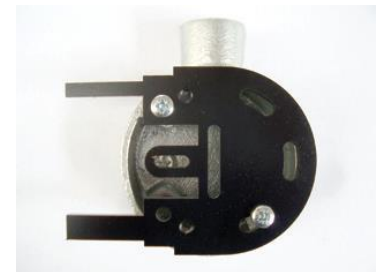


The base end cap plate is first held in position on to the architrave back box through either of the slots in the plate. One slot allows longitudinal movement the other horizontal if fitting to paired box ends. As above, once the end cap plate is held in position on the architrave box the wall can be marked for drilling. Remove plate to enable drilling and plugging. Proceed with the wiring and cover plate fitting as in No1



FIT END CAP BASE PLATE ONTO A FLUSH FIXED GALVANISED CONDUIT BOX

The End Cap Base will fix directly on the top of a conduit box accepting the box threaded lugs as a fixing point. Using one of the fixing holes and one of the slots allows slight rotation of the End Cap base plate if the pre-fitted box is slightly out of level. Proceed with the wiring and cover cap fitting as in No1



ABOUT FOLKNOLL

We are a UK based systems design, manufacturing and installation company. Since 1975 we have been supplying tough, reliable, practical, alarm and control systems for the private and public sectors. All of our products and systems have been designed for easy installation and low maintenance by experienced engineers. As original manufacturers, all of our products and systems can be customised to suit your requirements. We also offer individual annotation, custom engraving and special finishes for all of our equipment.

GET IN TOUCH

Please contact us for further information about our wide range of products and services and find out how we can provide a solution for you.



Folkno Group Ltd

Old North Rd, Royston, HERTS, SG8 5DT, UK

www.folkno.co.uk

+44 (0) 1763 234567

enquiries@folkno.co.uk