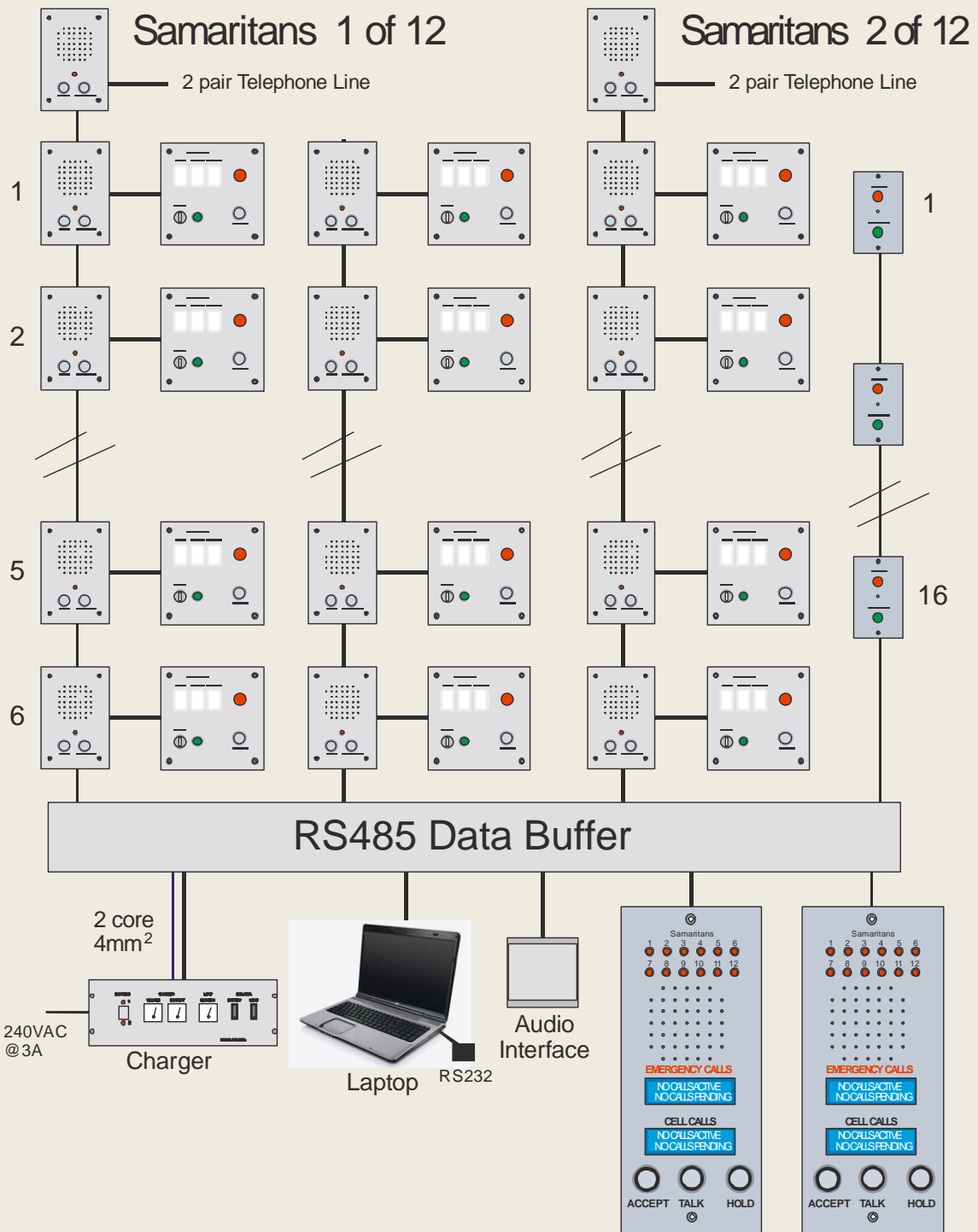


Cell Call Systems



FEATURES

- NOMS STD/E/SPEC/013 compliant
- NOMS STD/E/SPEC/018 compliant
- Up to 4080 cells
- Up to 128 wing display units
- Up to 16 wings
- A full range of standard vandal resistant BESA panels
- Customised panels for legacy systems and special functions available on request
- All cell call units are fitted with tamper alarm switches
- Panels for power outlets and TV/Radio distribution
- Additional call points and personal wireless call buttons for disabled cells
- 'Safer cell' units for private telephone calls to the Samaritans or other organisations
- A full range of landing indicator units
- 24 hour standby battery operation
- Customisable file server for data logging and configuration

NOMS COMPLIANT

The Folknoll Cell Call range offers a fully STD/E/SPEC/013 compliant cell call system for use in HMPS, Police Service and similar establishments. The range comprises a comprehensive collection of the units defined by the NOMS specification - including Cell Call Units, Corridor Reset Units, Landing Indicator Units, Wing Office Display Units, PSUs and file servers.

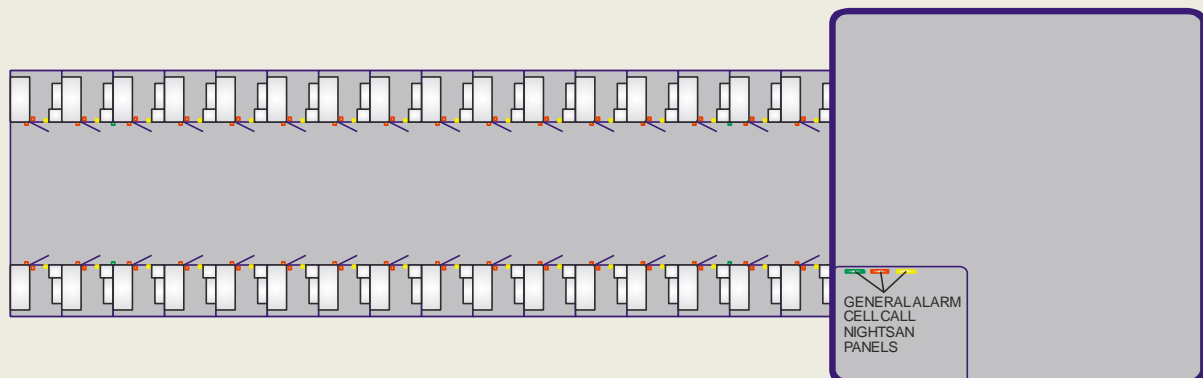
SAFER CELL / SAMARITAN CALL

The Folknoll Cell Call range also includes safer cell units to allow direct private telephone calls to Samaritans or other organisations.

VANDAL RESISTANT DESIGN

All panels are constructed from stainless steel, and fitted with vandal resistant switches, displays, speaker grills etc. Cell call units are fitted with tamper switches to trigger an alarm if opened.

TYPICAL WING



CELL CALL UNITS (CCU)



Standard cell call units are used to alert and communicate with wing display unit operators.

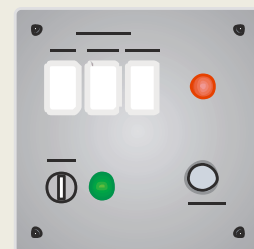
For disabled cells the range includes additional wired call points and personal wireless call buttons.

For safer cells the range offers 'safer cell' units allowing direct private telephone calls to the Samaritans or other organisations.

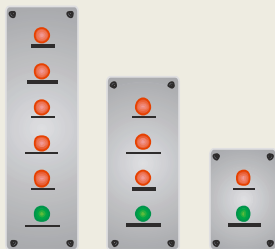
A range of cell call unit designs are available with additional features e.g. power outlets and TV/radio distribution.

CORRIDOR RESET UNITS (CRC)

All corridor reset units are fitted with a light switch, a bright red alarm indicator LED, and fob reset switch. Cell calls can only be reset at the CRU using a fob and operational requirements for 'visits' and 'emergency attendance' are also fully implemented.



A range of corridor reset unit options are available providing cell power and lighting controls depending on site requirements.

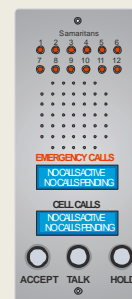


LANDING INDICATOR UNITS (LIU)

Folknoll offer a full range of BESA panel vandal resistant landing indicator units comprising 2, 4, 6 or 8, bright alarm LEDs and adjustable audio alarms.

WING DISPLAY UNITS (WDU)

Each wing may have up to 8-off wing display units. Wing display units are used to accept calls from cell call units and communicate with the cell call unit user. Each wing display unit has two alphanumeric displays, fault LEDs, control buttons, speaker and microphone. One display shows system wide emergency calls, and the other display shows local wing cell calls. The WDU has an integral solid-state event log. Events are recorded locally and sent to the file server to provide an audit trail. In the event of a communications failure the event log is buffered in the WDU until communications are restored.



WING POWER SUPPLY UNIT (PSU)



The Folknoll wing power supply unit provides power for the wing cell call system and charges the wing standby batteries. The PSU is fitted with the required indicators. The PSU is monitored by the WDU. Mains, and other PSU faults are indicated on the WDU. In the event of a mains failure there is a smooth transition to battery operation. The standby batteries have sufficient capacity to provide standby power for a minimum of 5-off 5 minute calls per hour for 24 hours.

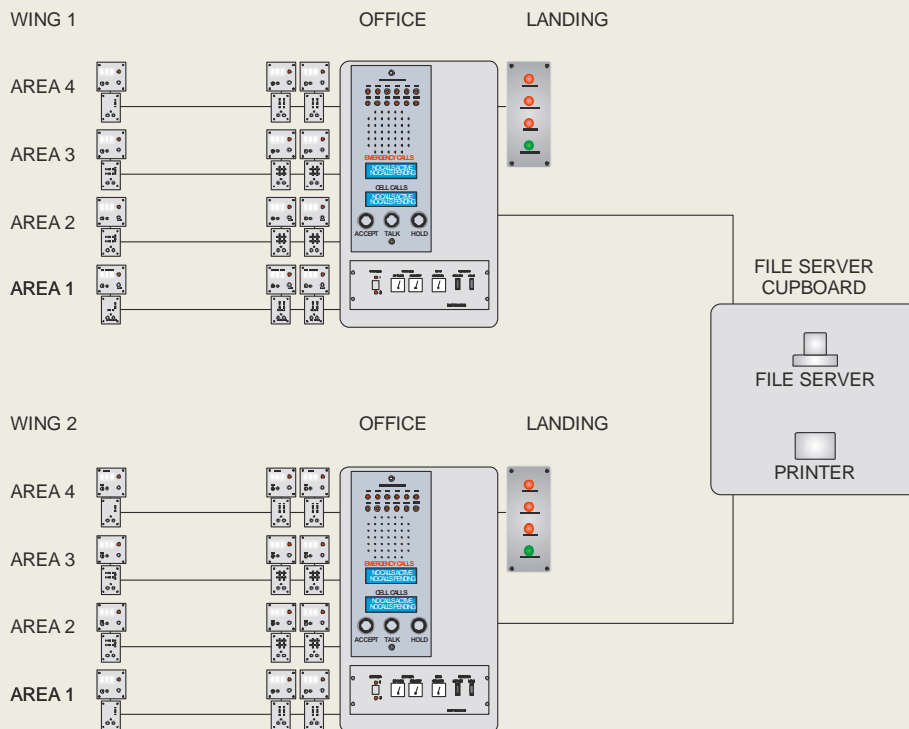
FILE SERVERS AND PRINTERS

File servers provide an audit trail and configuration system. All systems events are logged and in the event of an incident user configurable reports can be generated.

All file servers are based on standard PC equipment for long term support. Servers may derive the time from an off-air rugby clock or GPS depending on site conditions. Servers may be networked to provide multiple management information access points.

All units can be supplied in lockable equipment cupboards, suitable UPSs and printers can be also supplied if required.

TYPICAL SYSTEM



DESIGNED FOR LIFE

At Folknoll all equipment is designed by experience engineers for ease of installation and operation. Our long experience with high security equipment has enabled us to produce robust reliable equipment suitable for the toughest environment.

CUSTOM UNITS

Folknoll is a customer focused company. If you need special software features, custom made units or larger systems, then please contact Folknoll to discuss your requirements.

FURTHER INFORMATION

Please contact us for further information about the wide range of Folknoll products and systems.

Folknoll Group, Old North Rd, Royston, HERTS, SG8 5DT, UK

Tel: **+44 (0) 1763 234567**

Email: sales@folknoll.co.uk

web: www.folknoll.co.uk